



*GAS OUTDOOR HEATER OUTDOORFIRE*

---

*User Manual and Warranty Card (EN)*



# ATTENTION



**A HOT GLASS MAY CAUSE BURNS**

**DO NOT TOUCH THE GLASSES  
BEFORE THEY COOL DOWN**

**EVER LEAVE CHILDREN AND OTHER CONSCIOUS PEOPLE  
NEAR THE WORKING APPLIANCE.**

**WARNING!**

THE DEVICE IS HOT DURING WORK!

AS A RESULT OF CONTACT WITH HOT DEVICE SURFACES, BURNS MAY CAUSE. CHILDREN, ELDERLY PEOPLE (OR OTHER PEOPLE REQUIRING CARE), ANIMALS, CLOTHES, FLAMMABLE FURNITURE, ANY FUEL OR OTHER FLAMMABLE MATERIALS SHOULD BE FAR AWAY FROM THE DEVICE.

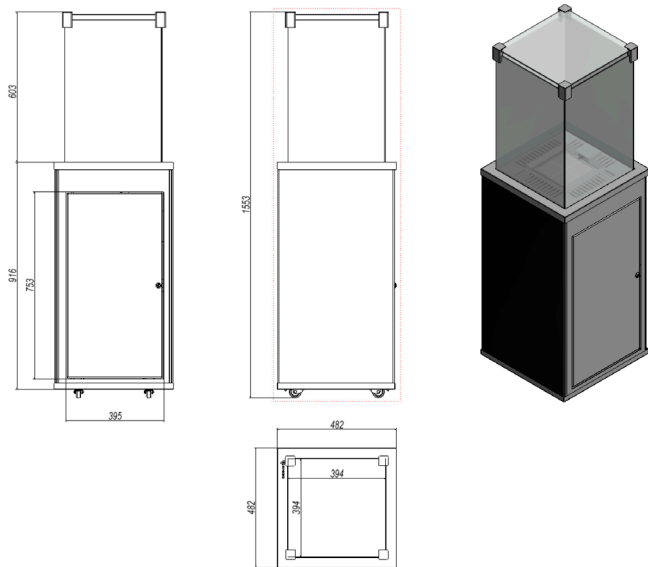
REMEMBER TO CARE FOR THE MAINTENANCE OF THE APPLIANCE IN ACCORDANCE WITH THE RECOMMENDATIONS OF THIS MANUAL!

**Read the whole manual and share it with every possible user of the device before using the device.**

**Any modifications to this device are strictly forbidden. Never attempt to tamper with the device or any part of it. Any changes or modifications will void the warranty immediately and void any device certificates.**

**The device must only be installed and serviced only by a qualified installer.**

## APPLIANCE DIMENSIONS



**Fig. 1. Dimensional drawing of the OUTDOORFIRE W & OUTDOORFIRE B heater**

## TECHNICAL SPECIFICATION

Technical specification - manual control - GV32 gas blockw								
	Unit	Appliance category						
		I <sub>3P(30)</sub>	I <sub>3P(37)</sub>	I <sub>3P(50)</sub>	I <sub>3B/P(30)</sub>	I <sub>3B/P(37)</sub>	I <sub>3B/P(50)</sub>	I <sub>3+(30/37)</sub>
Destination countries	-	FI, NL, RO	BE, CH, CZ, ES, FR, GB, GR, HR, IE, IT, LT, NL, PL, PT, SI, SK	AT, CH, DE, NL, SK	BE, CY, DK, EE, FR, GB, GR, HU, HR, IT, LT, NL, NO, RO, SE, SI, SK, TR	PL	AT, CH, DE, FR, SK	BE, CH, CY, CZ, ES, FR, GB, GR, IE, IT, LT, PT, SI, SK
Reference gas	-	G31	G31	G31	G30	G30	G30	G30/G31
Nominal connection pressure	[mbar]	30	37	50	30	37	50	30/37
Gas pressure per burner for nominal (maximum) load		23	23	23	17	17	17	Regulation screw fully opened
Gas pressure per burner for minimum load		7,5	8,0	6,5	5,5	7,0	5,5	12,0/14,0
Nominal (maximum) heat load, according to Hs		8,2	8,2	8,2	8,2	8,2	8,2	8,2
Minimal heat load, according to Hs		4,9	4,9	4,9	4,9	4,9	4,9	4,9
Gas nozzle	[mm] -	1,65 LPG 1.65	1,65 LPG 1.65	1,65 LPG 1.65	1,65 LPG 1.65	1,65 LPG 1.65	1,65 LPG 1.65	1,65 LPG 1.65

Model version	Valve	Category	Pressure / Gas	Destination countries
OUTDOORFIRE W <input type="checkbox"/>	MERTIK MAXITROL GV32	I3B/P <input type="checkbox"/>	30 mbar, G30 <input type="checkbox"/>	BE, CY, CZ, DK, EE, ES, FR, GB, GR, HU, IE, IT, LT, NL, NO, PT, RO, SE, SI, SK,
			37 mbar, G30 <input type="checkbox"/>	PL
			50 mbar, G30 <input type="checkbox"/>	AT, CH, DE, FR, SK
OUTDOORFIRE B <input type="checkbox"/>		I3P <input type="checkbox"/>	30 mbar, G31 <input type="checkbox"/>	FI, NL, RO
			37 mbar, G31 <input type="checkbox"/>	BE, CH, CY, CZ, ES, FR, GB, GR, IE, IT, LT, HR, NL, PL, PT, SI, SK
			50 mbar, G31 <input type="checkbox"/>	AT, CH, DE, NL
		I3+ <input type="checkbox"/>	30 mbar, G30 <input type="checkbox"/>	BE, CY, CZ, DK, EE, ES, FR, GB, GR, HU, IE, IT, LT, NL, NO, PT, RO, SE, SI, SK
			37 mbar, G31 <input type="checkbox"/>	BE, CH, CY, CZ, ES, FR, GB, GR, IE, IT, LT, HR, NL, PL, PT, SI, SK

Manufacturer data:  
Contact details:

FRAM GmbH  
FRAM GmbH  
Industriestrasse 12/22  
49324 Melle  
www.fram-gmbh.de

European standard

EN 14543 + A1

## INSTALLATION

**WE RECOMMEND THE OUTDOORFIRE GAS OUTDOOR HEATER TO BE INSTALLED AND / OR SERVICED BY A QUALIFIED SPECIALIST.**

**DO NOT ATTEMPT TO MODIFY THE CONSTRUCTION OF THE DEVICE OR ITS COMPONENTS. ANY MODIFICATION WILL CAUSE IMMEDIATE LOSS OF WARRANTIES AND CERTIFICATES.**

**PLEASE NOTE: AVOID THE RECOMMENDATIONS OF THESE INSTRUCTIONS WITH REGARD TO INSTALLATION, OPERATION OR AVOIDING THE RECOMMENDATIONS CONCERNING AUTHORIZED PARTS AND ACCESSORIES FOR THIS APPLIANCE MAY RESULT IN SERIOUS INJURIES OR DAMAGE TO PROPERTY.**

THIS APPLIANCE HAS BEEN DESIGNED IN ACCORDANCE WITH RESTRICTED SAFETY STANDARDS AND RECOMMENDED. IT WAS TESTED AND CERTIFIED BY A NOTIFIED BODY ACCORDING TO EN 14543.

## GENERAL INFORMATION

### IMPORTANT: KEEP THESE INSTRUCTIONS!

It is important to periodically check the proper functioning and integrity of individual components of the gas control system, as well as structural elements for any damage. It is very important that the gas control system remains intact and free from any damage. The device can be serviced only by a qualified technician with appropriate qualifications. Failure to comply with these rules may result in serious health damage and even death and property damage.

Installation and use must be carried out in accordance with national building regulations. Your authorized dealer can help you determine what safety precautions should be taken when installing or using the device. In some cases, you may need to obtain permission to install or operate such a device. Always consult an authorized dealer or building inspector to determine which regulations apply to the use and / or installation of the device in your area. In the absence of provisions governing installation and use, it is essential to comply with the instructions in the manual and the fire safety code.

Do not switch on the device if any of its components has been previously dismantled, damaged or destroyed. Before reuse, the missing or damaged part must be replaced by the original replacement provided by the manufacturer.

If the device, especially gas control system components or the burner has been flooded, switch off the device and consult a technical department or a qualified serviceman in order to check whether the reuse will require replacement of any of the system components.

## SAFETY INFORMATION

**The device is for external use only or for use in a well ventilated areas!**  
**A well-ventilated space must have 25% of its surface exposed. This area is determined on the basis of the sum of the wall surfaces of the given usable space.**

Due to the possibility of high temperatures of all surfaces of gas garden fireplaces and due to possible exposition to the fire, all flammable materials should be located at a safe distance from the device.

Elderly people, children and other unconscious persons should be informed and warned of the possibility of high temperatures occurring on the appliance during its operation and immediately after it is extinguished, and should avoid contact with the appliance to prevent burns and ignition of clothing.

Children, infants, infirm people and other people who require special attention that can be close the appliance should be subject to special supervision. These persons may be particularly exposed to accidental contact with the appliance. If necessary, use safety barriers to limit access to the appliance.

**NEVER obstruct THE VENTILATION ROOM OF A GAS CYLINDER!**

Do not hit or lean against any part of the appliance.

**ATTENTION:** No elements in the appliance may be replaced by other parts than those provided by the manufacturer or recommended by the manufacturer.

Use only the gas type and gas cylinder type specified by the manufacturer. In case of strong wind, protect the device against gusts or turn it off.

Under no circumstances any of solid fuels (wood, paper, coal, etc.) shall be used in this appliance.  
**IT IS STRICTLY PROHIBITED** to use any liquid fuels or other flammable materials to light the appliance!

To avoid accidents, it is not recommended to allow the use of the device to persons not familiar with the operation of the device. For safety, always use gloves and goggles for maintenance.  
- Always make sure that the gas supply is cut off before checking, servicing or cleaning the device.

### SET COMPONENTS - FIRST UNPACKING OF THE PURCHASED HEATER

If any damage or deficiencies are noticed during the consignment inspection, please contact your authorized dealer.

Please make sure that all parts of the set are not damaged during transport. The check should take place in the presence of the supplier. The purchased heater should contain a complete gas cylinder connection kit.

#### **FOR OUTDOORFIRE W and OUTDOORFIRE B WITH GV32 MANUAL CONTROL:**

- A complete, ready-to-use burner with a full gas control control system armed with the MERTIK MA-XITROL GV32 controller.
- A set of decorative stones for a burner.
- Installation and operating instructions.
- Steel body with wheels and stabilizing feet.
- 0.6 m hose with regulator and anti-tilt safety valve

#### **INSTALLATION - INTRODUCTION**

**We recommend that the connection of a gas garden heater to liquefied gas cylinders, as well as its adjustment and checking the tightness of the installation to be made by an authorized gas equipment installer or authorized service technician in accordance with applicable regulations, which should be confirmed on the product warranty card. Lack of such confirmation voids the warranty!**

**DEVICE INSTALLATION AND STORAGE OF BOTTLES SHOULD BE IN COMPLIANCE WITH APPLICABLE LAWS**

**NEVER USE ANY PARTS OF THE APPLIANCE NOT PROVIDED OR RECOMMENDED BY THE MANUFACTURER!**

The device has an open combustion chamber without the option of connecting it to a chimney flue. The OUTDOORFIRE gas garden heater is sold with the pre-installed gas control control system, however, before the first use it is recommended to check the tightness of the system due to the possibility of its unsealing in transport. All instructions on how to properly connect the system, installation in the table and frame can be found below in the following instructions.

#### **NOTES ABOUT HANDLING:**

This device is designed for easy installation and movement. Before moving it, make sure that all anti-removal components have been uninstalled, the gas supply has been cut off, and the hose is disconnected from the heater gas cylinder. Moving the device while it is in operation is strictly prohibited. After placing the heater in the desired place, secure it against slipping, falling out or falling over.

**WARNING: DO NOT MOVE THE APPLIANCE WHEN IT IS IN OPERATION!**

**All European type GAS cylinders up to 11 kg weight and not wider than 33 cm or higher than 65 cm are compatible with the appliance.**

#### **INSTALLATION RULES**

Installation should be carried out in accordance with the requirements of the law in force in the given country or region. In the absence of such provisions, the rules contained in this manual and the principles of fire safety should be followed.

This appliance has been tested for quality and safety and has been certified by a notified testing laboratory.

#### **WARNING!**

The OUTDOORFIRE gas garden heater is adapted to work with a cylinder or a household tank of a propane-butane gas mixture. The flexible connection pipe should be intended for LPG from the cylinder.

The device is sold with complete automation and tubes connecting the main burner and pilot burner with the valve. Do not use replacement system components other than those installed or supplied by the manufacturer or recommended by your dealer or manufacturer.

### CHOOSING THE LOCATION OF THE GAS OUTDOOR HEATER.

The OUTDOORFIRE gas garden heater is a mobile device capable of movement to any place of your choice. However, there are restrictions that must be strictly followed. The device, due to the possibility of high temperatures on its external surfaces, especially windows, should be kept away from flammable materials, and also because of the open combustion chamber without the possibility of connecting to chimney flues, it should be used in open spaces or in well-ventilated rooms. IT IS ABSOLUTELY PROHIBITED to place the device in a position other than vertical.

Tips for proper and safe installation of the device:

- Connect the regulator to the liquid gas cylinder so that the anti-tilt valve is in a vertical position. Connecting it in any other way may block the gas supply to the device. To do this, use the appropriate tools. Tightening the regulator by hand is insufficient and may result in gas leakage. Cylinder replacement and / or connection should take place in well ventilated areas.
- Make sure that the rubber gaskets are in place and undamaged before connecting the gear unit. If this is not the case, the device cannot be used until the seal has been replaced.
- Remember that the gas cylinder should always be in an upright position and the hose connecting the cylinder to the burner should be laid in such a way that it does not come into contact with sharp objects or edges, as well as hot elements of the burner.
- Check the correctness and tightness of the installed gas control control system and the entire gas system of the device. To do this, you can use soapy water or a dedicated spray to detect gas leaks. To check for leaks, cover with water and soap or spray any connections (cylinder- reducer, reducer - tilting valve, tilting valve - gas hose, gas hose - gas block of the controller, gas block - copper wires of the magneto and main burner, main burner nozzle - copper wire ) between the cylinder and the controller, as well as those behind the gas block, and then ignite the device so that the gas also fills the section from the gas block to the burner nozzles. If bubbles appear on the joints, it means that there is a leak in this place.
- Remove the glass according to the instructions on page 18, arrange the decorative elements evenly on the burner according to the graphic (fig. 7), then reinstall them.

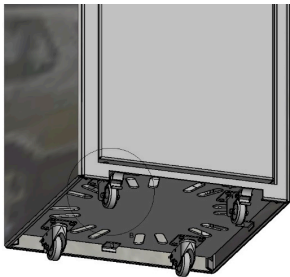
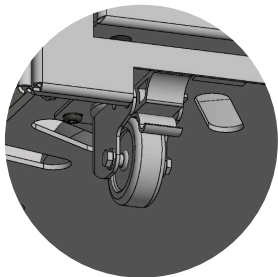
- **ATTENTION:** Safe distances from flammable materials that should be observed in accordance with the instructions in this manual have been established on the basis of safety tests. Flammable materials can be called anything that can catch fire, i.e. paper, wood, all kinds of fuels, plastic, clothing, etc. The designated space is not limited by non-flammable materials, but also applies to flammable materials directly behind non-flammable objects exposed to contact with device.
- If you are unsure of the flammability of any material within the device, consult your fire brigade.
- Remember that fireproof materials are considered flammable despite their fire resistance.
- They can be difficult to set on fire, but they also burn.



### MOVING OF THE APPLIANCE

This appliance has been designed for easy movement. However, safety precautions should be taken and moving the device in accordance with the instructions below:

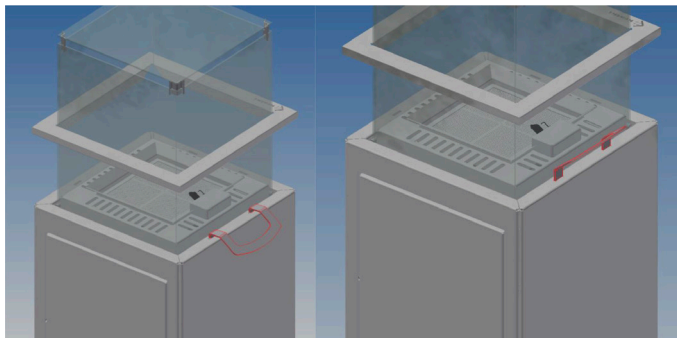
- Shut off the appliance and close the gas valve on the gas supply!
- If the gas cylinder is inside the appliance, take it off before moving the appliance!
- Ask someone to help you. Moving the device should be done with two people!



**Fig. 2. Wheels with brakes for easy movement and safe positioning of the device.**

To move the appliance unlock the brakes on the wheels and move the appliance. The other way to move the appliance is to slightly lift the mask as shown below and insert the handles into the holes on the side walls to move the device. Slide in the handle gently and turn it up to lock the handle in place, then move the device. It is recommended that the device be carried by two people.

For safety, after placing the heater in the selected destination, it is absolutely necessary to lock the brakes on at least two wheels of the heater.



**Fig. 3. Scheme of handles installation.**

## ATTENTION!!!

It is absolutely prohibited to use a gas garden heater in an open space during **ATMOSPHERIC precipitation**.

**STORING A GAS GARDEN HEATER OUTSIDE THE BUILDING IS ONLY PERMITTED WHEN COVERING THE RAIN COVER.**

**IN ANY OTHER ACCIDENT, THE DEVICE SHOULD BE LOCATED IN A PLACE WHICH PROTECTED AGAINST FLOODING AND EFFECTS OF LOW TEMPERATURES.**

**THE EQUIPMENT IN STANDING SHOULD BE UNDERCURRENTLY CUT OFF THE GAS SUPPLY. (GAS VALVE IN THE CLOSED POSITION), ALL SAFETY HANDLES SHOULD BE LOCKED, AND THE DEVICE PROTECTED AGAINST FALLING. IF IT IS NOT POSSIBLE TO PROTECT THE APPLIANCE AGAINST IT OVERTURNING OR FALLING OUT LEAVING IT WITHOUT ATTENTION, THE GAS BOTTLE SHOULD BE DISCONNECTED AND LEAVED IN A SAFE PLACE.**

## REQUIREMENTS FOR AREA AROUND THE HEATER, FREE OF FLAMMABLE MATERIALS.

The OUTDOORFIRE gas garden heater has been tested and approved for heating open or well ventilated spaces, subject to safe distances from flammable materials, as shown in the diagrams below.

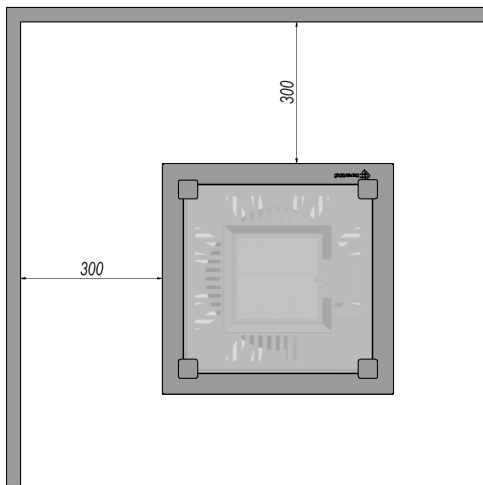
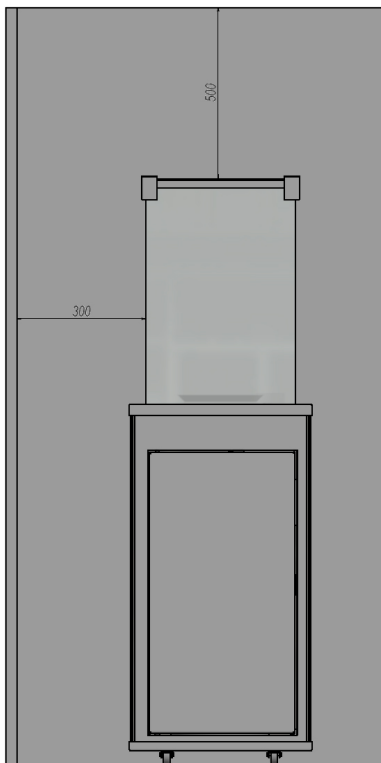
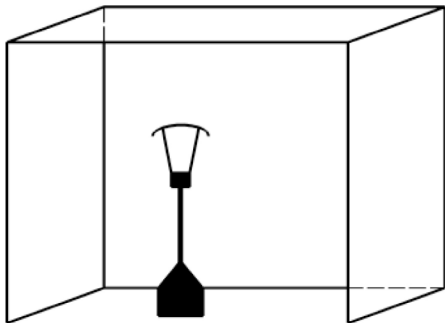


Fig. 4. Minimum free space from flammable materials / objects



**Fig. 5. Minimum free space from flammable materials / objects**

**The space indicated above is the minimum free space from flammable materials, unless this is removed by another entry. Failure to observe the above clearances (free space) may result in a fire.**



**THE USE OF THIS APPLIANCE IN ENCLOSED AREAS IS DANGEROUS AND IT IS PROHIBITED!**

- FOR USE OUTDOORS OR IN AMPLY VENTILATED ARE
- AN AMPLY VENTILATED AREA MUST HAVE A MINIMUM OF 25% OF THE SURFACE AREA OPEN
- THE SURFACE AREA IS THE SUM OF THE WALLS SURFACE

#### **ARRANGEMENT OF DECORATIVE STONES ON THE BURNER**



**Fig. 6. Correct distribution of decorative stones on the burner.**

The manufacturer recommends using decorative elements supplied with the device or in the company's offer. The FRAM GmbH company is not liable for damages resulting from the use of decorative elements other than recommended.

If the decorative elements were not installed before the first installation, then to remove them, the side walls and glass of the device should be removed, as shown below.

#### **DECORATIVE GLASS WALLS OPTION**

There are two versions of OUTDOORFIRE with a decorative glasses on the walls available in black or white version. These can be found under following codes:

**For white color:**

OUTDOORFIRE W

**For black color:**

OUTDOORFIRE B

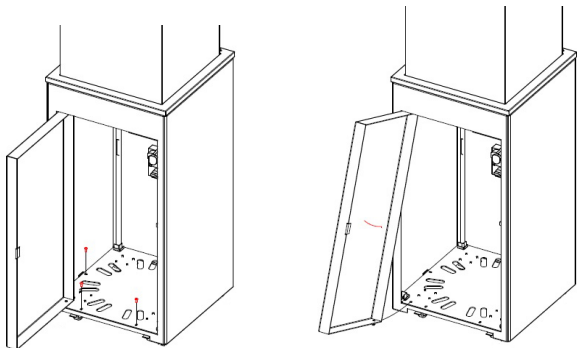


**Fig. 7 White and Black Glass Decorative versions**

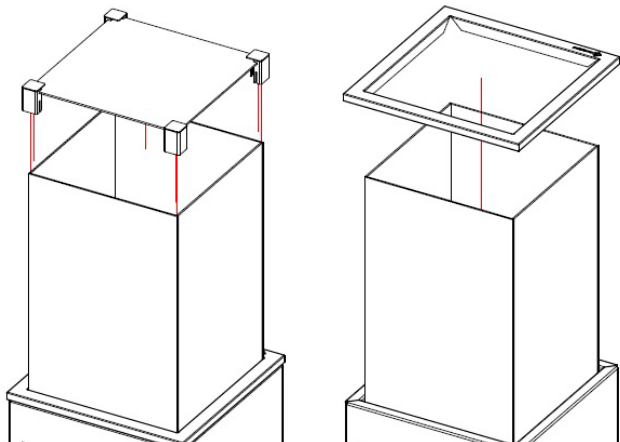
### REMOVAL AND REPLACEMENT OF GLASS / WALLS:

Before disassembling the walls and windows of the device, make sure that the device is turned off and cooled down, and the gas supply is closed! The period of time needed to cool down the hottest elements of the device is about 60 minutes. Do not touch the glass or the upper casing parts within an hour after switching off the device.

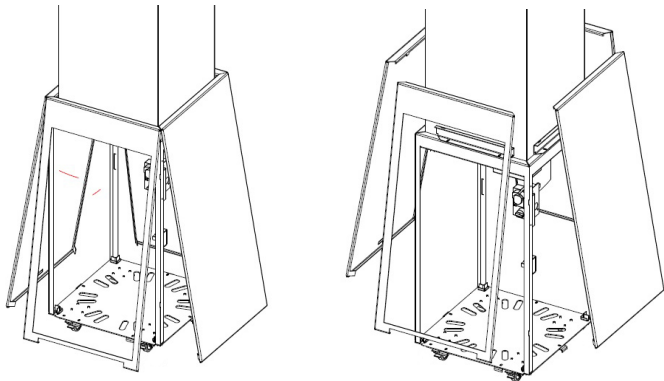
**Step 1. Remove the screws that secure the side walls to the base and remove the door by lifting it slightly upwards and then tilting it towards you.**



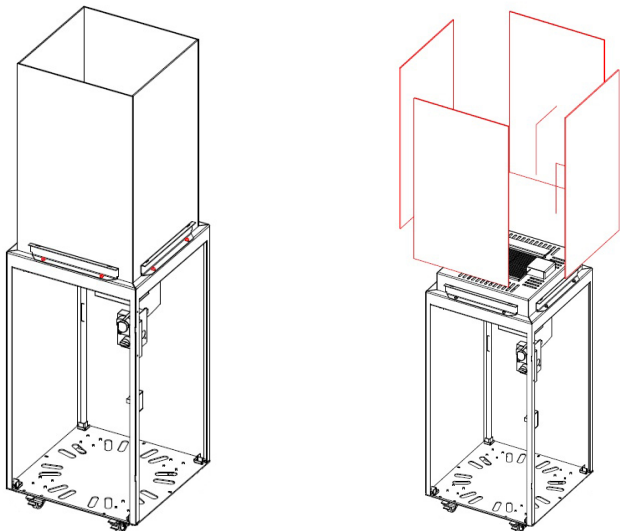
**Step 2. Remove the glass cover with the catches, and then remove the sidewall cover.**



**Step 3. Tilt the side walls slightly towards you, and then lifting them up, remove them from the mounting holes.**



**Step 4. Loosen the screws of the window clamps and remove the windows.**



## FIRST START

Before first use, make sure that all connections of individual system components have been made in accordance with the instructions contained in the manual. Incorrect connection of the gas control system may result in its damage.

During the first few ignitions a specific smell may be perceptible, persisting even for several hours after using the device. This phenomenon is associated with the burning of paint. Animals may be particularly sensitive to smells caused by burning off paint. To speed up the process, it is recommended to heat the device to maximum flame for several hours.

## INSTALLATION OF GAS CONTROL SYSTEM

### ATTENTION!!!

This appliance together with the gas control system can only be installed at the factory settings.

### ATTENTION!!!

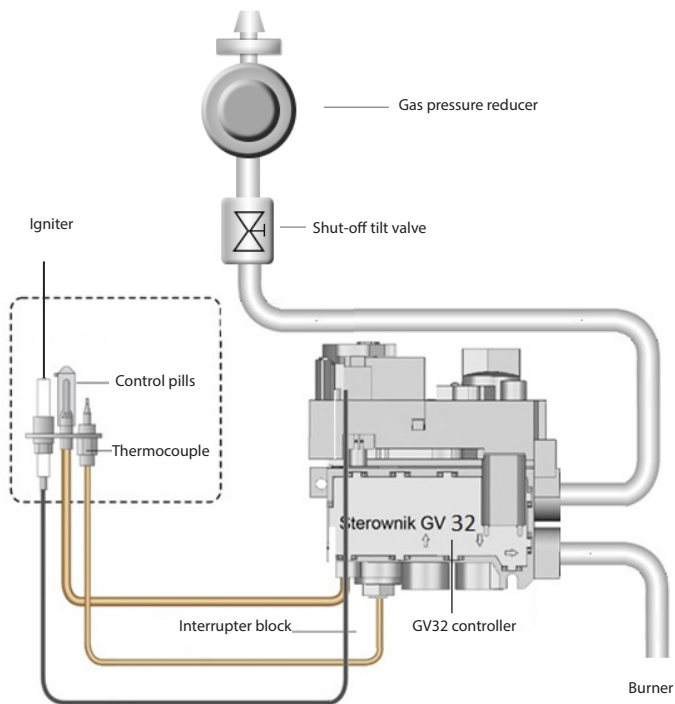
Individual elements of the gas control system should be installed in accordance with the instructions in this manual.

The standard gas control system includes a manual control valve. Elements of the system should be installed in places designated for this. Moving them may expose the device to damage due to harmful temperatures or flooding.

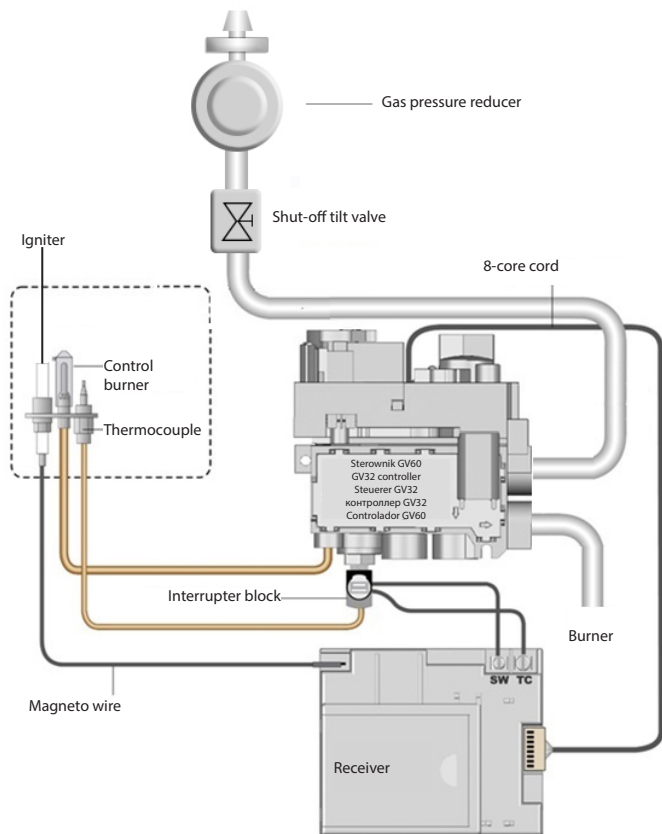
The appliance can only work with the gas control valve supplied with the appliance. Connections of individual system components have been made in such a way as to prevent their improper connection.

**WARNING! The device is equipped with a very sensitive anti-tilt valve. Shaking of the ground or the device itself as a result of impact or other forces may cause cutting off the gas supply to the device, and thus shutting it down. If you notice that the device does not burn, immediately turn the knob to the closed position clockwise and according to the instructions in the section "lighting the device".**

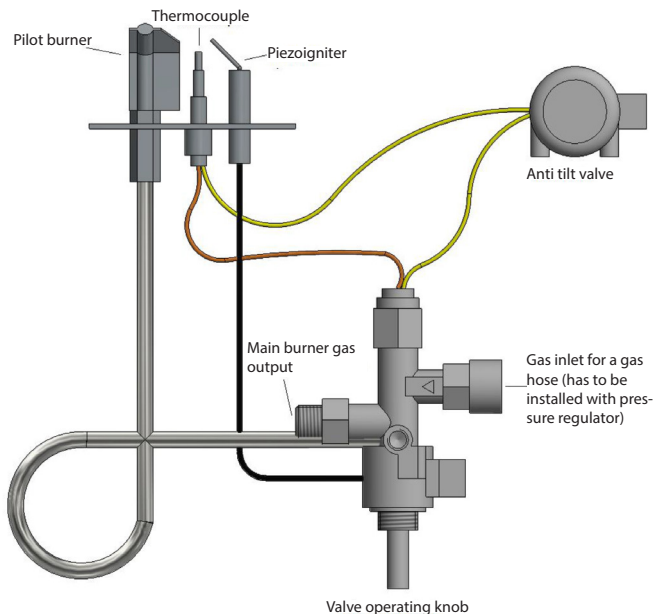




**Fig. 8. Connection diagram for the GV32 manual gas control system**



**Fig. 9. Connection diagram for the GV60 automatic gas control system**



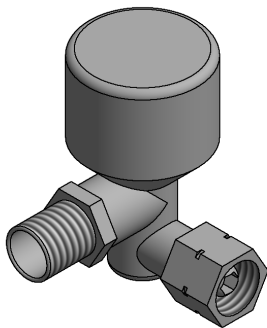
**Fig. 10. Connection diagram for the ASC90 manual gas control system**

#### **CONNECTION TO THE GAS SOURCE (GAS BOTTLES/CYLINDERS)**

Connect the regulator to the cylinder making sure that the seals are in place (See diagram above), if the seals are old or damaged or if one of them is missing, the device cannot be used until the seals are replaced. The valve must remain in the position it is installed at the factory. Changing the angle of the valve with anti-tilt valve results in closing the gas supply to the device and thus switching it off.

#### **ATTENTION!!!**

The anti-tilt valve is a protection against overturning of the appliance, thanks to which in the event of the appliance overturning, the valve automatically cuts off the gas supply to the controller, which extinguishes the flame. Below you can see the GOK anti-tilt valve which is preinstalled on the OUT-DOORFIRE.



**Fig. 11. Anti-tilt valve, installed on the regulator in the device.**

**ATTENTION!!!**

The appliance should be connected to the gas source only when the heater is turned off and the cylinder valve is turned off.

**Never connect the gas cylinder directly to the appliance without the regulator!**

**ATTENTION!!!**

It is forbidden to use open fire during the installation process or connecting the cylinder. Failure to comply with this prohibition may result in fire, explosion, property damage, personal injury, and even loss of life.

**ATTENTION!**

Gas garden fireplaces are designed to work with a propane and propane-butane cylinder in size of 5 and 11 kgs (the sizes may vary depending to the country you are buying them in).

The device is sold with complete automation, tilting valve, reducer and connecting hose. Do not use a hose other than recommended by the manufacturer, or any other system components.

You can buy GOK hose from FRAM GmbH or ask your serviceman or salesman to provide information on the hose type that can replace the original one.

**Before replacing the cylinder, make sure that the device is not near to any sources of fire or other sources that could ignite.**

**It is essential to close the gas supply valve on the cylinder or regulator after each use.**

**If you feel any gas leakage, you must absolutely stop using the device, if it is running turn it off or if it is turned off, do not start it. Then switch off the valve on the gas cylinder and contact the service center.**

**ATTENTION!**

It is recommended to periodically check the quality of connections for all gas hoses including the rubber flexible hose (at least once a month or whenever the cylinder is replaced). If there are visible cracks, damage or other signs of damage, the hose should be replaced with new GOK hose that can be bought from your dealer or at our website or if it is not possible, then ask your dealer who will recommend you the hose model and type.

**ATTENTION:**

Please note that the gas cylinder while installed inside the appliance has to be fastened with a cord with a carabiners inside the gas cylinder chamber to construction elements with holes.

**GV32 MANUAL CONTROL**

The user choosing this appliance receives a device equipped with a GV32 controller. Before operating the control module, read this manual. Proceedings contrary to the instructions or contrary to the instructions may result in damage to the gas control system components or the device itself, as well as to fire, property damage or loss of health.

**MANUAL FOR MANUAL CONTROL MODULE GV32.**

Firing up the device should follow the instructions below. The GV32 gas control system has been designed to completely eliminate the need for its maintenance and any adjustment. The knobs are not removable. Disassembly will damage the device. Never attempt to open or damage the valve or any of its other components in any way.

**Firing up the device:**

1. Turn the **"ON / OFF Knob A"** knob slightly counterclockwise towards the **IGNITION** position until it stops. Then press the knob for 5 seconds (the gas will only flow to the control burner).
2. Continue to hold the knob and at the same time turn it further in the **PILOT** position (this activates the control burner piezo). Hold the knob in this position for another 10 seconds until the control burner ignites (if the remote control does not light, repeat the procedure immediately while the knob is pressed).
3. After the control burner has ignited, release the knob and turn it counterclockwise further to the **ON** position (this will also start gas flow to the main burner).

**Turning off the device:**

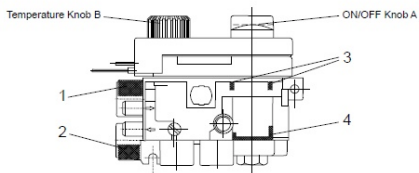
1. Turn the **"ON / OF Knob A"** knob clockwise until it stops in the **PILOT** position.
2. Press the knob lightly and continue turning it clockwise from the **PILOT** position to the **OFF** position.

The next procedure of firing up the control burner may be repeated when the thermocouple of the control burner has sufficiently cooled (the period until it cools down may vary depending on the type of thermocouple used). After the device is completely turned off, re-lighting is possible after about 1 minute (time needed for the thermocouple to cool down).

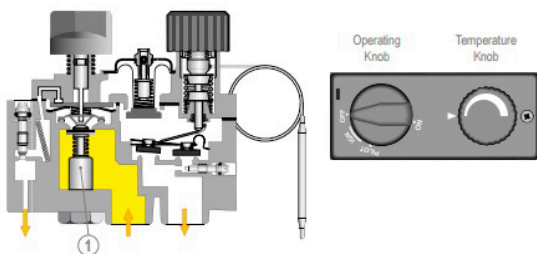
**Flame / gas flow control:**

Flame adjustment is done using the **"Temperature Knob B"** knob.

To adjust the flame and power of the device, manually turn the Temperature **Knob B** counterclockwise (flame increase) or clockwise (flame reduction). To completely close the gas supply to the main burner, the **ON / OFF Knob A** must be turned to the **PILOT** position.



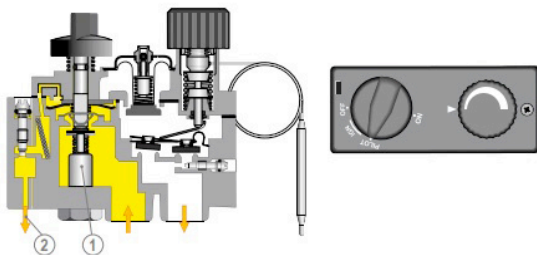
**Fig. 14. Diagram of the GV32 controller**



**OFF – shutting off**

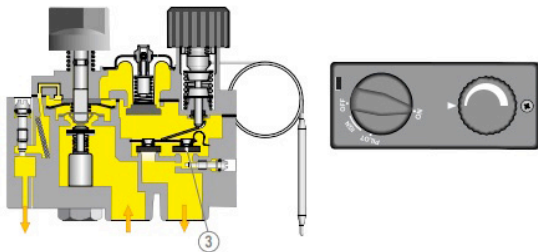
The operating knob is in OFF position.

The thermo- electric flame failure device is close (position 1)



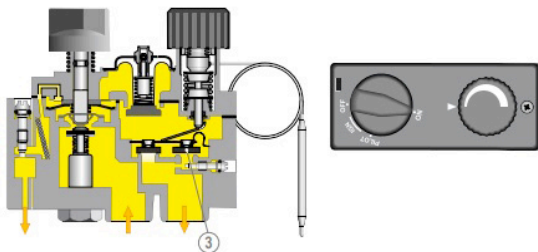
**Ignition**

The operating knob is in PILOT position. The magnet unit is open allowing gas flow to the pilot burner (position 2.)



### Low fire

The operating knob is in ON position. The room temperature is lower than the set temperature. Gas flows through the low fire ON-OFF valve. (position 3).



### High fire

The operating knob is in ON position. The room temperature is lower than the set temperature. Gas flows through the high fire modulation valve and low fire ON-OFF valve.

**Fig. 15. An overview diagram of the device startup and flame control.**

## MAINTENANCE

### ATTENTION!!!

**Any maintenance work should be carried out on a cooled down device with the gas supply cut off and the power supply disconnected.**

### ATTENTION!!!

**Maintenance of the heater must only be performed by a qualified service technician.**

- The device should be periodically inspected at least once a month or whenever the cylinder is changed.
- Cleaning should be carried out regularly or as the dust or dirt appears on the device.
- Glasses with cracks and scratches should be replaced immediately.
- It is forbidden to make any changes to the device's design.
- The heater cannot be cleaned using corrosive agents.
- When replacing individual components, only use original parts available at the manufacturer.

## Checklist:

No.	Scope	Actions
1	General control	<p>Perform firing up procedure in the heater. Check the operation of all security systems. Check if the main burner flame burns steadily.</p> <p>Check that the main burner burns evenly.</p>
2	Windshield control	<p>Check the glass for cracks</p> <p>Check the degree of dirt on the glass. Clean the glass if necessary.</p>
3	Control of gas control system	<p>Check the gas connections for leaks.</p> <p>Check that the cylinder chamber ventilation is not blocked.</p> <p>Check that the cables connecting the controller to the receiver are not damaged.</p> <p>Check that the gas control system components are not exposed to high temperatures.</p> <p>Check that the inner chamber and the elements installed in it are not exposed to moisture. Check that the connecting cables show no signs of corrosion.</p>
4	Combustion chamber control	<p>Check that the control burner is not obstructed by decorative elements.</p> <p>Check if the thermocouple is within the control flame. Check whether the combustion chamber requires cleaning.</p> <p>Check that all air inlets to the combustion chamber are clear. If necessary, clear the holes.</p> <p>Check the combustion chamber for signs of corrosion. If necessary, remove corrosion and cover the defects with a new layer of fireplace paint.</p> <p>Check if the main burner ignites smoothly.</p>
5	Control device control	<p>Check that the components of the control system are not exposed to overheating.</p>
6	Decorative elements	<p>Check if the decorative elements require cleaning.</p> <p>Check that the decorative elements are not in contact with the glass.</p> <p>Check if the decorative elements cover the openings venting the hearth.</p> <p>Check that the decorative elements have not been damaged.</p>

## ENVIRONMENTAL PROTECTION

- All packaging components in which the gas heater has been supplied should be disposed of in a manner appropriate to their type.
- Due to the content of heavy metals, batteries are classified as hazardous chemical waste, so after using them, they should be thrown into special containers for hazardous waste.
- If the device is used up again, it must be disposed of. The user is obliged to pass the fireplace to the appropriate institution dealing in the recycling of this type of equipment.



**FRAM**  
GmbH

**FRAM GmbH**  
Industriestraße 12/22  
49324 Melle  
[www.fram-gmbh.de](http://www.fram-gmbh.de)