

Instructions

Installing the door spring on FRAM stoves

1. Open the door and lift the door to make the door come out. Then remove the upper securing clip. Then please open the door wide and lift it up out of the hinge (Fig.1).

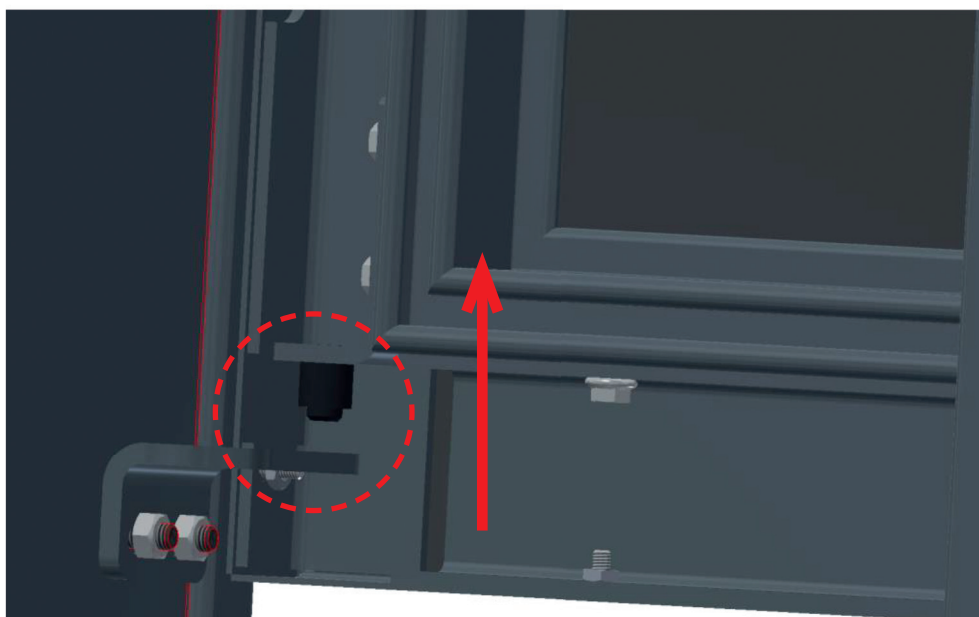
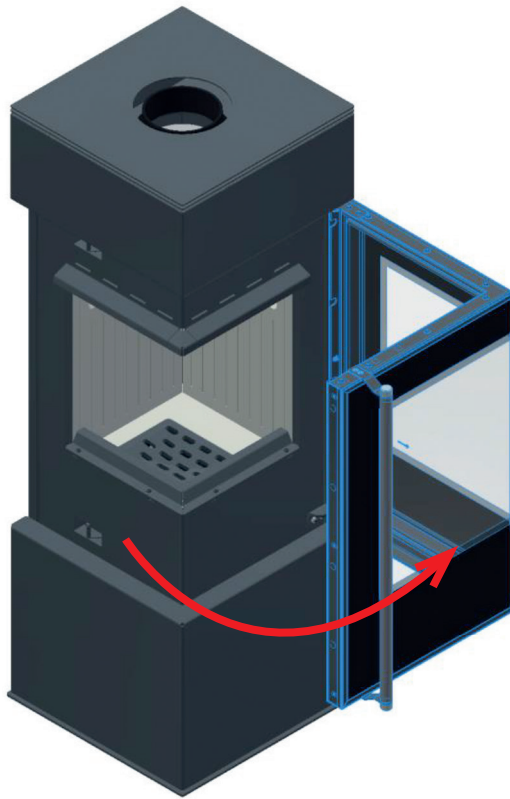


Fig. 1: Lifting the door

2. Then put the spring on the bottom hinge. Insert the longer end into the hole in the lower slat (fig. 2).



Fig. 2: Insertion of the spring

3. Insert the shorter end into the hole on the hinge while inserting the bottom hinge of the swing door (Fig. 3).

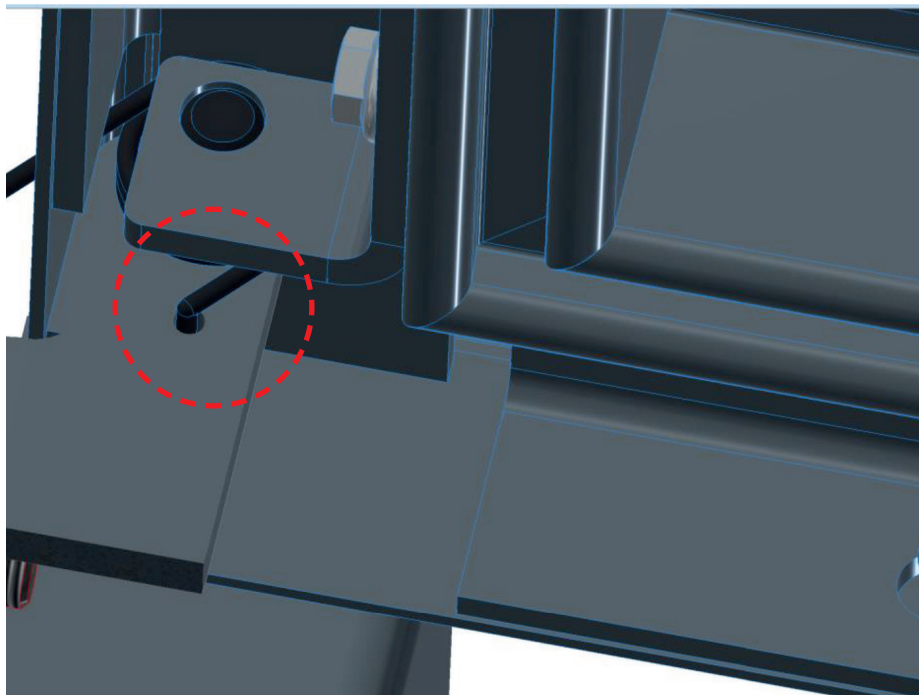


Fig. 3.: Insert the spring

