

RELOCATION OF THE FLUE SOCKET ON STOVES

Mounting instruction (EN)

RELOCATION OF THE FLUE SOCKET

The stove is equipped as standard with the upper smoke outlet. Optionally, the rear smoke outlet is possible if the smoke outlet socket is relocated.

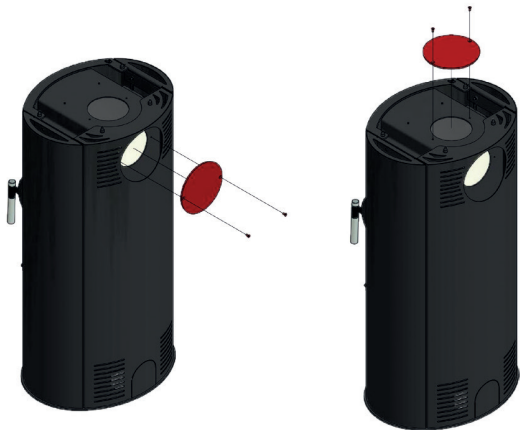
Way of repositioning the flue outlet connector::



1. Remove the top lid from the stove.
2. Unscrew the smoke outlet socket from the top plate of the hearth body.



3. Remove the cover of the opening at the back of the stove's steel casing.



4. Unscrew the smoke outlet cover from the back of the stove body.

5. Position the smoke outlet cover upwards and screw it onto the top plate of the stove body.



6. Screw the flue outlet socket to the back of the hearth body (in the place where the flue outlet cover was previously).

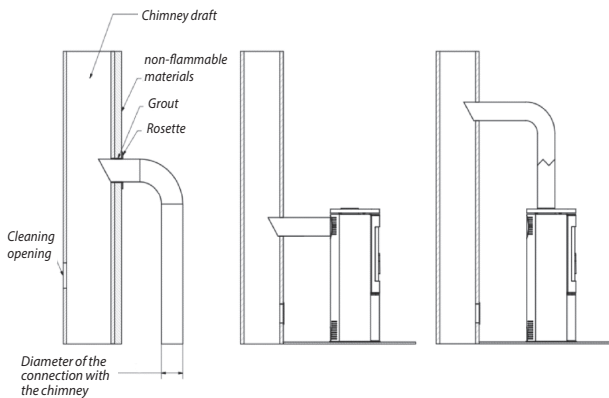


7. Place the top lid and the cover plate for the top flue outlet (not part of the stove equipment) on the stove.



8. The flue outlet connector after moving from the upper flue to a rear flue.

The chimney connection for smoke outlet at the back or at the top:



Necessary accessories for the modification

To switch the outlet from the top to the back, you must unscrew or remove the top plate and the back plate and change the flue connections.

Unscrew or remove the back plate and change the flue connections.

You only need to purchase the cover for the top plate as an accessory.

Cover/panel for Stefanie, Marie, Luisa, Lilli and Florence stoves:



Panel back



Panel front

Cover/panel for Christine stove:



Panel back

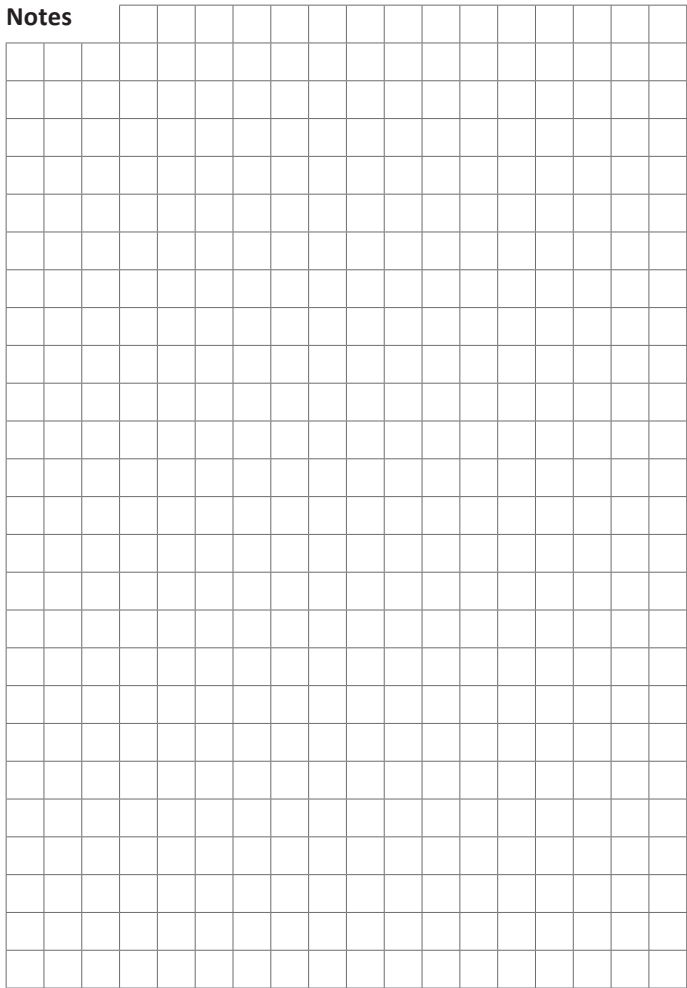


Panel front

Flue connection piece incl. screws (belongs to the stove equipment).



Notes



FRAM

GmbH

FRAM GMBH

Industriestraße 12/22 · D-49324 Melle

info@fram-gmbh.de

www.fram-gmbh.de