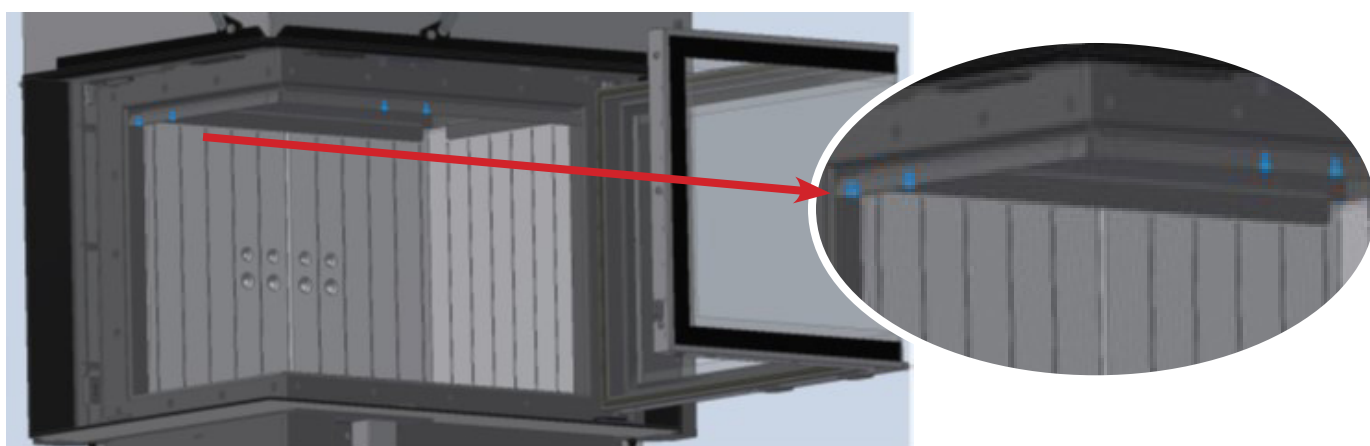
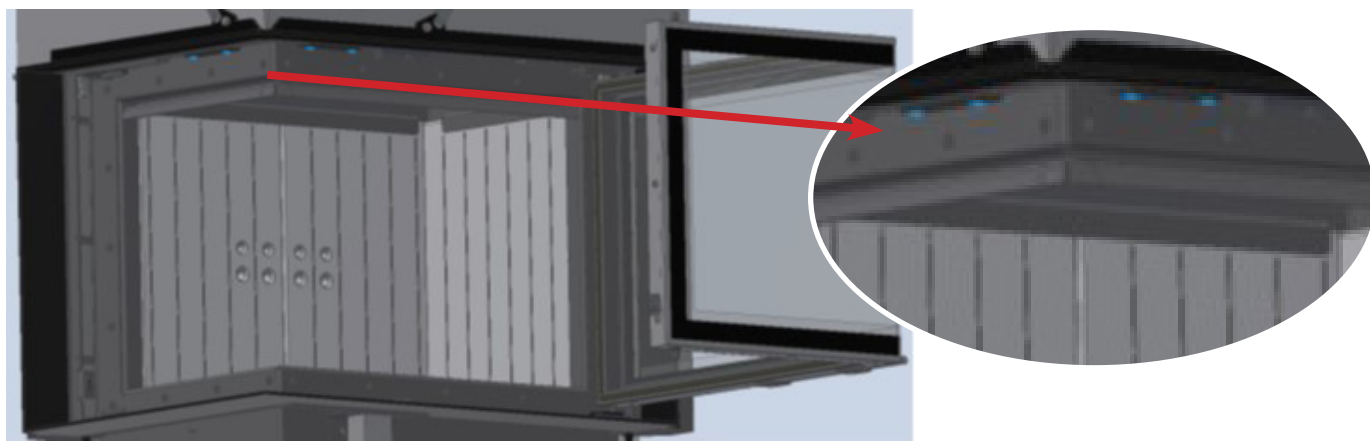


Instructions for disassembling the additional weights for BA1 (self-closing) for the FRAM 2 series from 10/2021

1. Unscrew the M5 screws (3mm allen key) that secure the door weight in place



2. Remove weights

