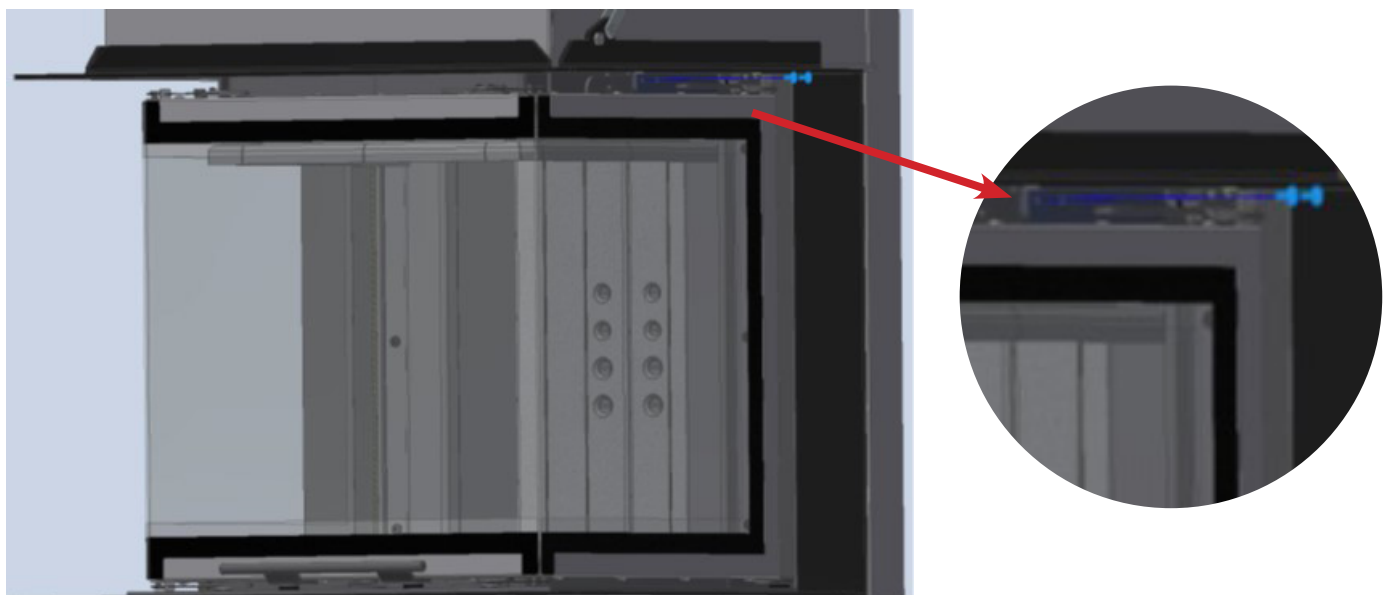
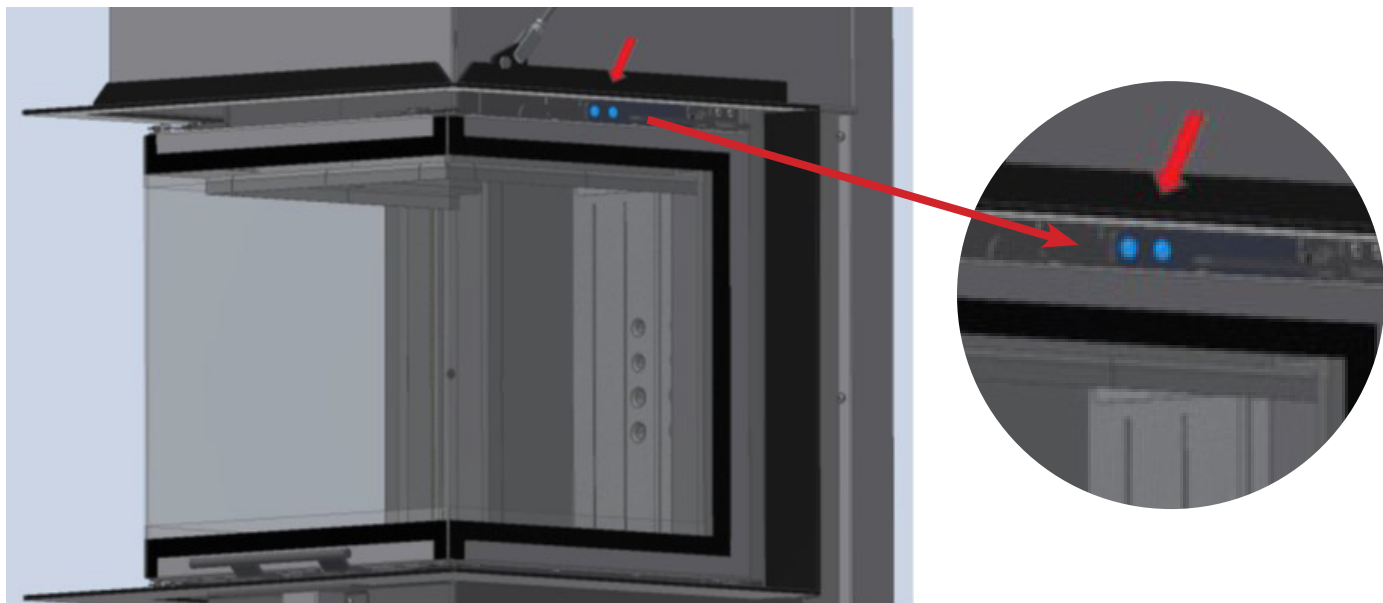


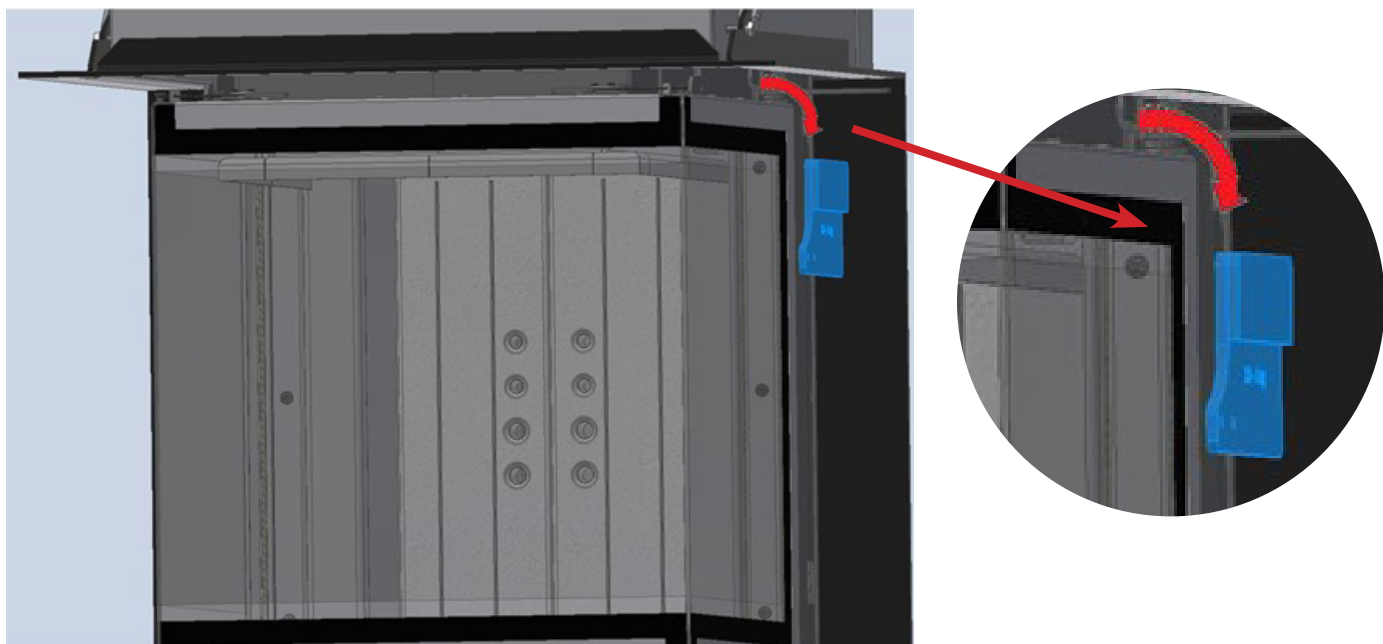
## Instructions for disassembling the additional weights for BA1 (self-closing) for the FRAM 3 series from 10/2021

---

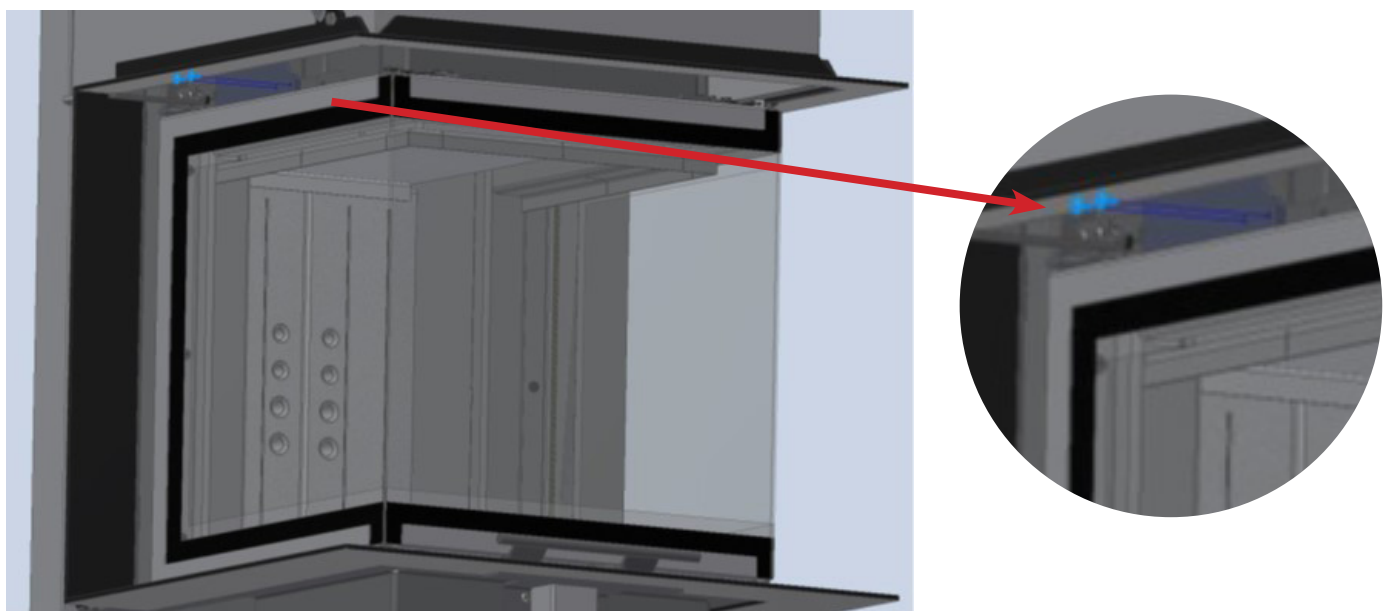
1. Unscrew the M5 screws (3mm allen key) that secure the door weight in place



## 2. Remove weights



## 3. On the other side, also remove the M5 screws (using a 3mm allen key) that secure the door weight in place



4. Remove weights

